



The picture shows the standard version with tines 3/4 length of the coil

## TCK C-hooks

### Capacity 500 - 10000 kg

Coils, rolls, rings and similar items are transported safely with the Tigrip C-hooks.

Tine length and usable height with the most frequently encountered coil sizes are listed in the table below.

Other working loads, measurements, and models, such as C-hooks with automatic balancing device, are available on request.

### Technical data TCK

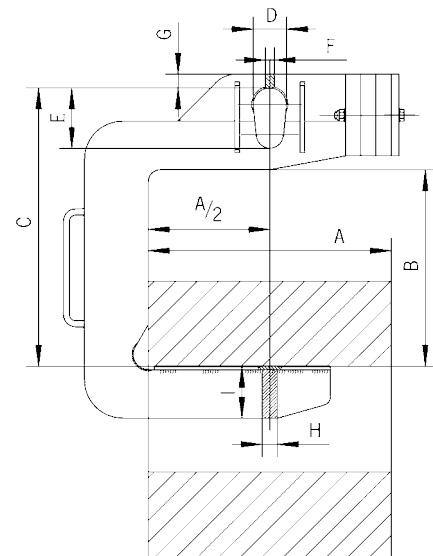
| Model         | Art.-No.  | Capacity kg | Weight kg |
|---------------|-----------|-------------|-----------|
| TCK 0,5/300   | N53507801 | 500         | 21        |
| TCK 0,5/500   | N53507802 | 500         | 30        |
| TCK 0,5/800   | N53507803 | 500         | 46        |
| TCK 1,0/300   | N53507804 | 1000        | 28        |
| TCK 1,0/500   | N53507805 | 1000        | 40        |
| TCK 1,0/800   | N53507806 | 1000        | 95        |
| TCK 2,0/300   | N53507807 | 2000        | 45        |
| TCK 2,0/500   | N53507808 | 2000        | 90        |
| TCK 2,0/800   | N53507809 | 2000        | 140       |
| TCK 2,0/1000  | N53507810 | 2000        | 180       |
| TCK 3,0/300   | N53507811 | 3000        | 68        |
| TCK 3,0/500   | N53507812 | 3000        | 127       |
| TCK 3,0/800   | N53507813 | 3000        | 165       |
| TCK 3,0/1000  | N53507814 | 3000        | 215       |
| TCK 5,0/500   | N53507815 | 5000        | 184       |
| TCK 5,0/800   | N53507816 | 5000        | 238       |
| TCK 5,0/1000  | N53507817 | 5000        | 286       |
| TCK 5,0/1250  | N53507818 | 5000        | 364       |
| TCK 7,5/800   | N53507819 | 7500        | 390       |
| TCK 7,5/1000  | N53507820 | 7500        | 520       |
| TCK 7,5/1250  | N53507821 | 7500        | 650       |
| TCK 7,5/1500  | N53507822 | 7500        | 767       |
| TCK 10,0/1000 | N53507823 | 10000       | 772       |
| TCK 10,0/1250 | N53507824 | 10000       | 810       |
| TCK 10,0/1500 | N53507825 | 10000       | 980       |

Dimensions TCK

| Model               | TCK 0,5/300 | TCK 0,5/500 | TCK 0,5/800 | TCK 1,0/300 | TCK 1,0/500 | TCK 1,0/800 | TCK 2,0/300 | TCK 2,0/500 | TCK 2,0/800 | TCK 2,0/1000 |
|---------------------|-------------|-------------|-------------|-------------|-------------|-------------|-------------|-------------|-------------|--------------|
| Coil width A, mm    | 300         | 500         | 800         | 300         | 500         | 800         | 300         | 500         | 800         | 1000         |
| Usable height B, mm | 400         | 400         | 400         | 450         | 450         | 450         | 500         | 500         | 500         | 500          |
| C, mm               | 570         | 580         | 580         | 620         | 630         | 630         | 700         | 700         | 720         | 720          |
| D, mm               | 60          | 60          | 60          | 60          | 60          | 60          | 75          | 75          | 75          | 75           |
| E, mm               | 120         | 120         | 120         | 120         | 120         | 120         | 150         | 150         | 150         | 150          |
| F, mm               | 20          | 20          | 25          | 25          | 20          | 30          | 25          | 30          | 30          | 20           |
| G, mm               | 25          | 23          | 23          | 23          | 23          | 23          | 38          | 38          | 38          | 35           |
| H, mm               | 20          | 20          | 25          | 20          | 25          | 30          | 25          | 30          | 30          | 40           |
| I, mm               | 50          | 65          | 70          | 70          | 80          | 90          | 90          | 110         | 125         | 125          |

| Model               | TCK 3,0/300 | TCK 3,0/500 | TCK 3,0/800 | TCK 3,0/1000 | TCK 5,0/500 | TCK 5,0/800 | TCK 5,0/1000 | TCK 5,0/1250 | TCK 7,5/800 | TCK 7,5/1000 |
|---------------------|-------------|-------------|-------------|--------------|-------------|-------------|--------------|--------------|-------------|--------------|
| Coil width A, mm    | 300         | 500         | 800         | 1000         | 500         | 800         | 1000         | 1250         | 800         | 1000         |
| Usable height B, mm | 500         | 500         | 500         | 500          | 550         | 550         | 550          | 550          | 600         | 600          |
| C, mm               | 700         | 700         | 720         | 720          | 800         | 800         | 820          | 820          | 900         | 900          |
| D, mm               | 75          | 75          | 75          | 75           | 100         | 100         | 100          | 100          | 110         | 110          |
| E, mm               | 150         | 150         | 150         | 150          | 200         | 200         | 200          | 200          | 220         | 220          |
| F, mm               | 30          | 20          | 25          | 20           | 25          | 30          | 30           | 30           | 35          | 35           |
| G, mm               | 38          | 40          | 40          | 40           | 45          | 45          | 45           | 45           | 50          | 50           |
| H, mm               | 30          | 30          | 40          | 40           | 40          | 50          | 50           | 50           | 50          | 60           |
| I, mm               | 105         | 125         | 140         | 155          | 145         | 160         | 180          | 200          | 200         | 200          |

| Model               | TCK 7,5/1250 | TCK 7,5/1500 | TCK 10,0/1000 | TCK 10,0/1250 | TCK 10,0/1500 |
|---------------------|--------------|--------------|---------------|---------------|---------------|
| Coil width A, mm    | 1250         | 1500         | 1000          | 1250          | 1500          |
| Usable height B, mm | 600          | 600          | 650           | 650           | 650           |
| C, mm               | 900          | 920          | 980           | 1000          | 1000          |
| D, mm               | 110          | 110          | 130           | 130           | 130           |
| E, mm               | 220          | 220          | 250           | 250           | 250           |
| F, mm               | 35           | 35           | 40            | 45            | 45            |
| G, mm               | 45           | 50           | 50            | 55            | 55            |
| H, mm               | 60           | 70           | 70            | 70            | 80            |
| I, mm               | 220          | 220          | 220           | 240           | 240           |



TCK specials

with 4/4 length of tines and safety nose on request



## TCS Coil hook

### Capacity 500 - 3000 kg

The TCS coil hook is an universal C-Hook. Due to its tipping feature, it can lift or lower the coil, whether the coil is lying flat or is in an upright position. With this tipping device, the coil is tipped safely through 90°.

The slow and safe movement of the tipping device ensures a continuous flowing movement when lifting or lowering the coil. At the same time, the tipping device serves the purpose of preventing accidental slipping of the load during transport.

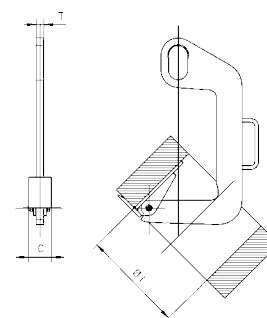
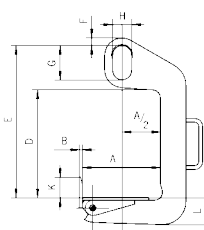
## INFO

Other sizes and models available on request.



## Technical data TCS

| Model       | Art.-No.  | Capacity kg | Weight kg |
|-------------|-----------|-------------|-----------|
| TCS 0,5/120 | N53507850 | 500         | 6.9       |
| TCS 0,5/200 | N53507851 | 500         | 9.6       |
| TCS 1,0/200 | N53507852 | 1000        | 15.4      |
| TCS 1,0/300 | N53507853 | 1000        | 20.0      |
| TCS 2,0/200 | N53507854 | 2000        | 24.8      |
| TCS 2,0/300 | N53507855 | 2000        | 33.4      |
| TCS 3,0/200 | N53507856 | 3000        | 45.0      |
| TCS 3,0/300 | N53507857 | 3000        | 51.0      |



## Dimensions TCS

| Model                 | TCS 0,5/120 | TCS 0,5/200 | TCS 1,0/200 | TCS 1,0/300 | TCS 2,0/200 | TCS 2,0/300 | TCS 3,0/200 | TCS 3,0/300 |
|-----------------------|-------------|-------------|-------------|-------------|-------------|-------------|-------------|-------------|
| Coil width A min, mm  | 50          | 100         | 100         | 200         | 100         | 200         | 100         | 200         |
| Coil width A max., mm | 120         | 200         | 200         | 300         | 200         | 300         | 200         | 300         |
| B, mm                 | 10          | 10          | 10          | 10          | 12          | 12          | 15          | 15          |
| C, mm                 | 60          | 60          | 80          | 80          | 90          | 90          | 100         | 100         |
| D, mm                 | 330         | 330         | 460         | 460         | 420         | 420         | 610         | 610         |
| E, mm                 | 470         | 470         | 600         | 600         | 600         | 600         | 820         | 820         |
| F, mm                 | 20          | 20          | 20          | 20          | 30          | 30          | 40          | 40          |
| G, mm                 | 110         | 110         | 110         | 110         | 135         | 135         | 160         | 160         |
| H, mm                 | 60          | 60          | 60          | 60          | 75          | 75          | 90          | 90          |
| K, mm                 | 50          | 50          | 60          | 60          | 80          | 80          | 100         | 100         |
| L, mm                 | 45          | 50          | 65          | 70          | 85          | 95          | 100         | 110         |
| T, mm                 | 20          | 20          | 25          | 25          | 30          | 30          | 35          | 35          |
| Ø I, mm               | 220         | 300         | 300         | 400         | 300         | 400         | 300         | 400         |