



HTP (Push trolley)



HTG (Geared trolley)

HTP and HTG Push and geared trolley

Capacity 500 - 50000 kg

The trolley enables the exact positioning or easy traversing of large loads with either manual or powered hoisting equipment.

Features

- It has excellent rolling features due to machined steel wheels mounted on prelubricated, encapsulated ball bearings.
- Adjustable to fit a wide range of beam widths and profiles (e.g. INP, IPE and IPB).
- Adjustments are made by rotating the clevis load bar which also ensures the centred positioning of the hoist in the clevis – no creeping to the left or the right (up to 5000 kg capacity, from 8000 kg upwards the traverse is adjusted via sleeves and washers).
- The trolley wheels are designed for a max. beam profile incline of 14 % (DIN 1025 - part 1).

Optional

up to 20000 kg capacity:

- Rotating hand chain guide.
- Stainless steel hand chains.
- Locking device to secure the trolley in position on the beam (park position e.g. on ships).
- Both versions are also available with high-temperature bearings up to 350°. From 250° C, however, the load capacity is reduced to 90 % of the nominal load and from 300° C the corresponding capacity is reduced to 80 % of the nominal load.

all capacities:

- Buffers

SERIES EXTENSION
NOW WITH HIGH WWL!
30000 - 50000 kg

INFO

Yale hoists and trolleys are not designed for passenger elevation applications and must not be used for this purpose.

Technical data HTP

Model	Art.-No.	Capacity kg	Size	Beam flange width b mm	Beam flange thickness t max. mm	Curve radius min. m	Hand effort at WLL daN	Weight kg	Weight with locking device kg
HTP 500	N05141273	500	A	50 - 220	25	0.9	–	8.0	14.5
HTP 1000	N05141274	1000	A	50 - 220	25	0.9	–	9.0	17.0
HTP 2000	N05141275	2000	A	66 - 220	25	1.15	–	16.0	24.0
HTP 3000	N05141276	3000	A	74 - 220	25	1.4	–	32.0	41.2
HTP 5000	N05141277	5000	A	90 - 220	25	1.8	–	48.0	58.5
HTP 500	N05148305	500	B	160 - 300	40	0.9	–	10.6	17.1
HTP 1000	N05148306	1000	B	160 - 300	40	0.9	–	12.0	20.0
HTP 2000	N05148307	2000	B	160 - 300	40	1.15	–	19.3	27.3
HTP 3000	N05148308	3000	B	160 - 300	40	1.4	–	35.8	45.0
HTP 5000	N05148309	5000	B	180 - 300	40	1.8	–	52.2	62.7

Technical data HTG

Model	Art.-No.	Capacity kg	Size	Beam flange width b mm	Beam flange thickness t max. mm	Curve radius min. m	Hand effort at WLL daN	Weight ¹ kg	Weight ¹ with locking device kg
HTG 500	N05300006	500	A	50 - 220	25	0.9	3	9.7	16.2
HTG 1000	N05300007	1000	A	50 - 220	25	0.9	6	11.2	19.2
HTG 2000	N05300008	2000	A	66 - 220	25	1.15	7	18.0	26.0
HTG 3000	N05300009	3000	A	74 - 220	25	1.4	7	35.4	44.6
HTG 5000	N05300010	5000	A	90 - 220	25	1.8	9	51.8	62.3
HTG 500	N05300011	500	B	160 - 300	40	0.9	3	12.6	19.1
HTG 1000	N05300012	1000	B	160 - 300	40	0.9	6	14.1	22.1
HTG 2000	N05300013	2000	B	160 - 300	40	1.15	7	21.3	29.3
HTG 3000	N05300014	3000	B	160 - 300	40	1.4	7	39.2	48.4
HTG 5000	N05300015	5000	B	180 - 300	40	1.8	9	56.0	66.5
HTG 8000	N05300016	8000	B	125 - 310	40	1.8	14	104.0	–
HTG 10000	N05300017	10000	B	125 - 310	40	1.8	14	104.0	–
HTG 15000	N05300018	15000	B	125 - 310	40	5.0	29	230.0	–
HTG 20000	N05300019	20000	B	125 - 310	40	5.0	29	230.0	–
HTG 30000	192045613	30000	B	175 - 305	34	1.6	24	248.0	–
HTG 50000	192045614	50000	B	175 - 305	34	5.1	25	489.0	–

¹Weight without hand chain



We are pleased to send you our new Atex catalogue in PDF format.

Dimensions HTP

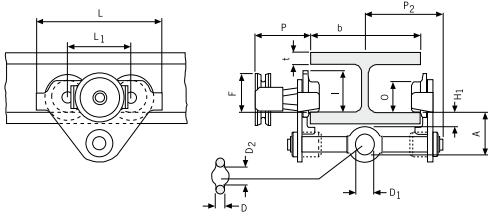
Model	HTP 500-A	HTP 1000-A	HTP 2000-A	HTP 3000-A	HTP 5000-A	HTP 500-B	HTP 1000-B	HTP 2000-B	HTP 3000-B	HTP 5000-B
A, mm	77	82.5	98.5	114	132.5	92	97.5	113.5	129	147.5
D, mm	16	17	22	26	33	16	17	22	26	33
D1, mm	25	30	40	48	60	25	30	40	48	60
D2, mm	30	35	47	58	70	30	35	47	58	70
F1, mm	57.5	57.5	57.5	57.5	57.5	57.5	57.5	57.5	57.5	57.5
H1, mm	30.5	30.5	30.5	30	30	45.5	45.5	45.5	45	49.5
I (HTP), mm	71.5	71.5	95.5	131	142.5	71.5	71.5	95.5	131	142.5
L, mm	260	260	310	390	450	260	260	310	390	450
L1, mm	130	130	150	180	209	130	130	150	180	209
O, mm	60	60	80	112	125	60	60	80	112	125
P1, mm	168	168	168	168	168	168	168	168	168	168
P2, mm	146	150	155	160	167.5	177	177	177	180	187.5
L3, mm	346	346	396	476	556	346	346	396	476	556

Dimensions HTG

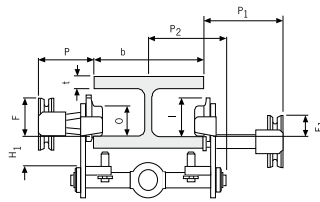
Model	HTG 500-A	HTG 1000-A	HTG 2000-A	HTG 3000-A	HTG 5000-A	HTG 500-B	HTG 1000-B	HTG 2000-B	HTG 3000-B	HTG 5000-B
A, mm	77	82.5	98.5	114	132.5	92	97.5	113.5	129	147.5
D, mm	16	17	22	26	33	16	17	22	26	33
D1, mm	25	30	40	48	60	25	30	40	48	60
D2, mm	30	35	47	58	70	30	35	47	58	70
F (HTG), mm	91.5	91.5	90.5	107.5	149.5	91.5	91.5	90.5	107.5	149.5
F1, mm	57.5	57.5	57.5	57.5	57.5	57.5	57.5	57.5	57.5	57.5
H1, mm	30.5	30.5	30.5	30	30	45.5	45.5	45.5	45	45
I (HTG), mm	76.5	76.5	98	132.5	148.5	76.5	76.5	98	132.5	148.5
L, mm	260	260	310	390	450	260	260	310	390	450
L1, mm	130	130	150	180	209	130	130	150	180	209
O, mm	60	60	80	112	125	60	60	80	112	125
P (HTG), mm	110	110	110	110	110	110	110	110	110	110
P1, mm	168	168	168	168	168	168	168	168	168	168
P2, mm	146	150	155	160	167.5	187	187	189.5	191.5	191.5
L3, mm	346	346	396	476	556	346	346	396	476	556
P3, mm	194	194	194	195	195	194	194	194	195	195

Dimensions HTG

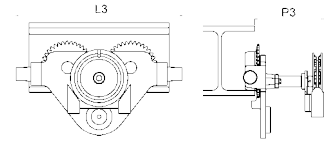
Model	HTG 8000-B	HTG 10000-B	HTG 15000-B	HTG 20000-B	HTG 30000-B	HTG 50000-B
A, mm	276	276	270	270	261	310
B, mm	52	52	70	70	65	100
D, mm	30	30	35	35	35	60
D1, mm	80	80	110	110	90	125
D2, mm	114	114	155	155	125	195
F (HTG), mm	113	113	113	113	93	93
F1, mm	77	77	-	-	-	-
H1, mm	45	45	45	45	40	40
I (HTG), mm	170	170	170	170	224	224
L, mm	430	430	870	870	625	1.260
L1, mm	200	200	200	200	296	296
L2, mm	-	-	115	115	164.5	164.5
O, mm	150	150	150	150	196	196
P (HTG), mm	163	163	163	163	165	165
P1, mm	193	193	-	-	-	-
T, mm	270	270	270	270	333	343
L3, mm	536	536	976	976	-	-



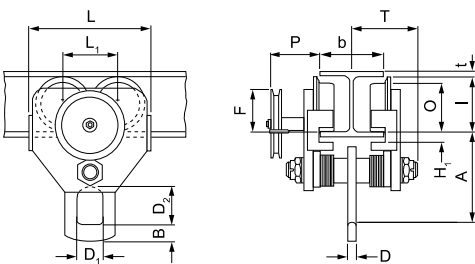
HTP/G, 500 - 5000 kg



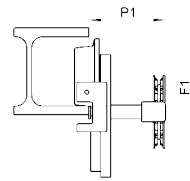
HTP/G, 500 - 5000 kg,
with locking device



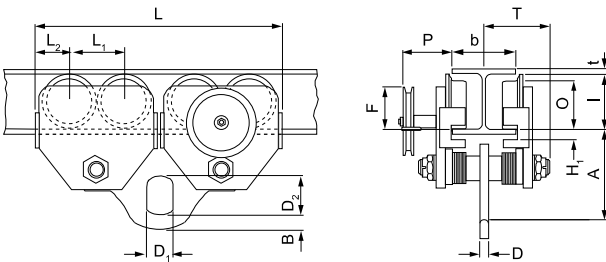
HTG, 500 - 5000 kg,
with rotating hand chain guide
and buffers



HTG, 10000 kg

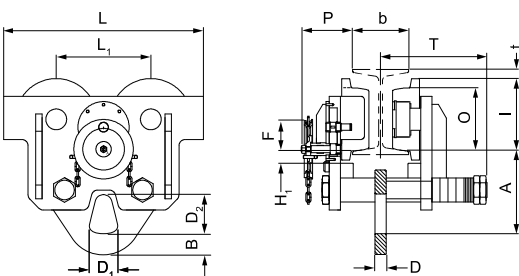


HTG, 10000 kg,
with locking device

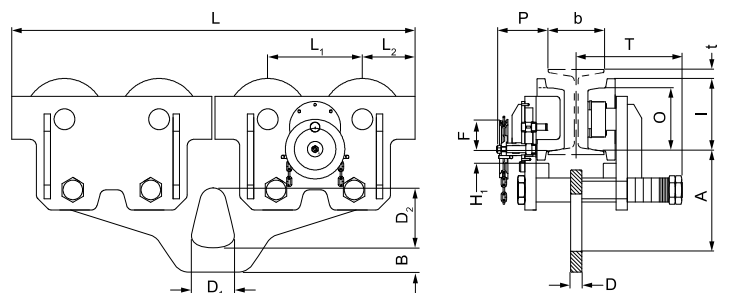


HTG, 15000 - 20000 kg

SERIES EXTENSION
NOW WITH HIGH WWL!
30000 - 50000 kg



HTG, 30000 kg



HTG, 50000 kg



CTP Trolley clamp

Capacity 1000 - 3000 kg

Easy fitting to overhead beams for the attachment and transport of loads.

Features

- Central threaded spindle provides quick adjustment to the required beam width.
- Threaded spindle and clevis are zinc-plated for added corrosion protection.

Technical data CTP

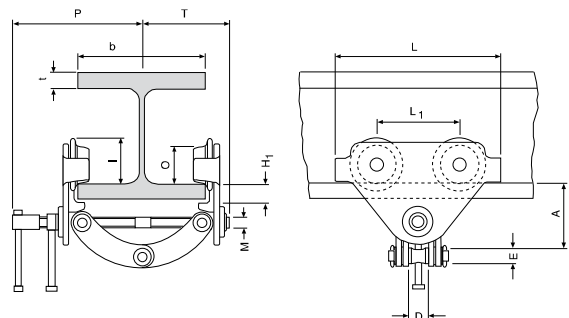
Model	Art.-No.	Capacity kg	Beam flange width b mm	Curve radius min. m	Weight kg
CTP 1-A	NO5500024	1000	60 - 150	0.6	2.5
CTP 2-A	NO5500025	2000	75 - 200	0.9	9.9
CTP 2-B	NO5500026	2000	200 - 300	0.9	10.3
CTP 3-A	NO5500027	3000	75 - 200	1.15	17.5
CTP 3-B	NO5500028	3000	200 - 320	1.15	19.5

Dimensions CTP

Model	CTP 1-A	CTP 2-A	CTP 2-B	CTP 3-A	CTP 3-B
A, mm	82 - 109	106 - 155	136 - 191	128 - 171	150 - 212
D, mm	26	42	42	50	50
E, mm	22	20	20	22	22
H1, mm	20	24	24	30.5	30.5
I, mm	53	71.5	71.5	95.5	95.5
L, mm	160	260	260	310	310
L1, mm	75	130	130	150	150
M, mm	M12	M18	M18	M24	M24
O, mm	46	60	60	80	80
P, mm	153	205	255	220	280
T, mm	105	139	189	155	215
tmax., mm	15	25	25	25	25

INFO

Yale hoists and trolleys are not designed for passenger elevation applications and must not be used for this purpose.



**VTE-U, VTEF-U
Electric trolley
with shackle**

Capacity 1000 - 5000 kg

Specially recommended for loads over 1000 kg, for transporting over long distances and/or when used frequently. Suitable for almost all hoists with suspension hook due to universal shackle connection. Travel motor with worm gear transmission ensures smooth start and self braking – a separate motor brake is not required.

Features

- Standard operating voltage:
Euro-voltage 400 V, 3 Ph, 50 Hz.
Single speed motors can be reconnected to 230 V, 3 Ph, 50 Hz.
- Motor protected to IP 55 against dust and water jets.
Push-button pendant control IP 65.
- Compact, robust frame with low overall height.
- Wheels manufactured from fracture-proof steel.
Smooth running due to machined surfaces and ball bearing mounting. Cambered profile suitable for flat and inclined beam profiles.
- Anti-drop and anti-tilt devices as standard.
- Easy adjusted to fit to a wide range of beam widths and profiles due to threaded spindles.

Optional

- Low voltage control 42 V
- Rubber buffers
- 230 V, 1 Ph, 50 Hz



Wheel with cambered profile



Threaded spindle



Anti-drop device with option to fit buffers

INFO

Yale hoists and trolleys are not designed for passenger elevation applications and must not be used for this purpose.

Technical data VTE-U, VTEF-U

Model	Art.-No.	Capacity	Travel speed	Motor	Beam flange width A ²	Beam flange thickness t max.	Curve radius min. at flange width A/B ²	Weight at flange width A/B ²
		kg	m/min	kW	mm	mm	m	kg
VTE 1-A-18/U ¹	N06409625	1000	18 ¹	0.18	58 - 180	19	0.9/0.9	19.5/25.2
VTEF 1-A-18/4,5/U ¹	N06409943	1000	18/4.5 ¹	0.18/0.06	58 - 180	19	0.9/0.9	19.5/25.2
VTE 2-A-18/U ¹	N06409626	2000	18 ¹	0.18	58 - 180	19	1.15/1.15	26/30.2
VTEF 2-A-18/4,5/U ¹	N06409945	2000	18/4.5 ¹	0.18/0.06	58 - 180	19	1.15/1.15	26/30.2
VTE 3-A-11/U	N06409939	3000	11	0.37	74 - 180	27	1.5/1.4	51/53
VTEF 3-A-11/2,8/U	N06409947	3000	11/2.8	0.3/0.09	74 - 180	27	1.5/1.4	51/53
VTE 5-A-11/U	N06409941	5000	11	0.37	98 - 180	27	2.0/1.8	77/80
VTEF 5-A-11/2,8/U	N06409949	5000	11/2.8	0.3/0.09	98 - 180	27	2.0/1.8	77/80

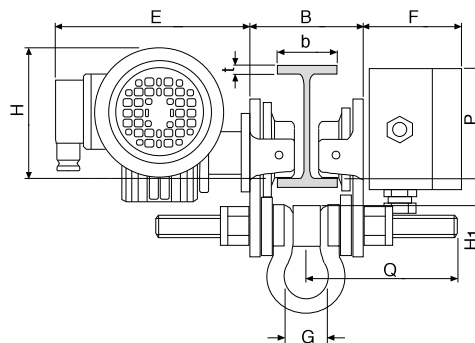
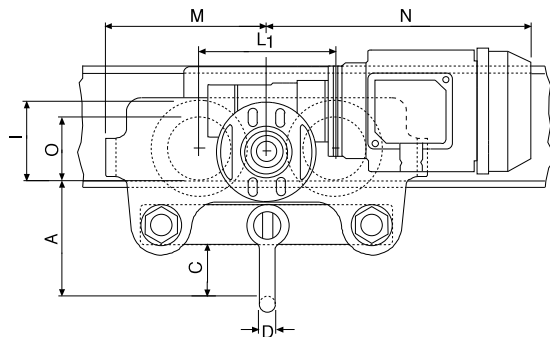
¹11 or 11/2.8 m/min travel speed on request

²Trolleys with beam flange width B are suitable for flange width of 180 - 300 mm

Dimensions VTE-U, VTEF-U

Model	VTE 1-A-18/U	VTE 2-A-18/U	VTE 3-A-11/U	VTE 5-A-11/U
A, mm	113	115	139	161
B, mm	b + 50	b + 54	b + 60	b + 70
C, mm	49	47	57	60
D, mm	16	16	19	22
E, mm	187	187	202	202
F, mm	94	94	94	94
G, mm	43	43	51	58
H, mm	129	128	144	178
H1, mm	24	24	32	32
I, mm	77	98	133	149
L1, mm	130	150	180	209
M, mm	155	180	208	263
N1G, mm	255	255	292	292
N2G, mm	263	263	296	296
O, mm	60	80	112	125
P, mm	123	123	129	121
Q, mm	145/205 ³	153/213 ³	160/220 ³	182/242 ³

³at beam flange width B



YC Beam clamp

Capacity 1000 - 10000 kg

Provides a quick and versatile rigging point for hoisting equipment, pulley blocks or loads. Flexible application due to wide adjustment range. The central threaded spindle allows easy attachment and a safe and secure grip. The spindle can be secured against loosening.



INFO

Yale hoists and trolleys are not designed for passenger elevation applications and must not be used for this purpose.

Suitable as a horizontal anchor point.
Can also be used as a lifting clamp.

Technical data YC

Model	Art.-No.	Capacity kg	Beam flange width mm	Weight kg
YC 1	NO5406181	1000	75 - 230	3.4
YC 2	NO5406182	2000	75 - 230	3.8
YC 3	NO5407417	3000	80 - 320	7.6
YC 5	NO5407418	5000	90 - 320	11.0
YC 10	NO5407419	10000	90 - 320	17.2

Dimensions YC

Model	YC 1	YC 2	YC 3	YC 5	YC 10
A min., mm	115	115	180	180	175
A max., mm	150	150	225	225	220
A1, mm	78	78	85	95	95
A2, mm	246	246	325	325	325
B1, mm	186	186	232	242	268
B2, mm	350	350	455	445	480
b1, mm	75	75	80	90	90
b2, mm	230	230	320	320	320
C, mm	50	50	70	70	70
D, mm	3	4	6	10	14
E, mm	215	215	255	255	275
F1, mm	34	35	35	35	35
F2, mm	17	18	21	21	20
G1, mm	82	82	120	116	110
G2, mm	44	44	75	75	66
H, mm	20	20	22	28	38
J1, mm	14	14	30	30	34
J2, mm	21	21	34	34	35
K1, mm	48	50	60	60	60
K2, mm	31	32	40	42	40
L, mm	80	86	114	129	146

