



SW-W Wall-mounted winch

Capacity 80 - 750 kg

Wall-mounted rope winches of the SW-W model range are intended for fixed stationary mounting inside a building. The steel wire rope is guided to the required suspension point of the load by means of deflection sheaves.

Features

- Robust aluminium housing for models SW-W 80 and SW-W 125, proven steel plate design for models SW-W 300 - 750.
- Spur gear drive for optimal efficiency and comfortable handling. Direct drive for loads up to 125 kg.
- The low-noise safety spring brake safely holds the load in every position.
- Removable hand crank for models SW-W 80 and SW-W 125, foldable crank for models SW-W 300 - 750.
- Easy and quick mounting onto walls.

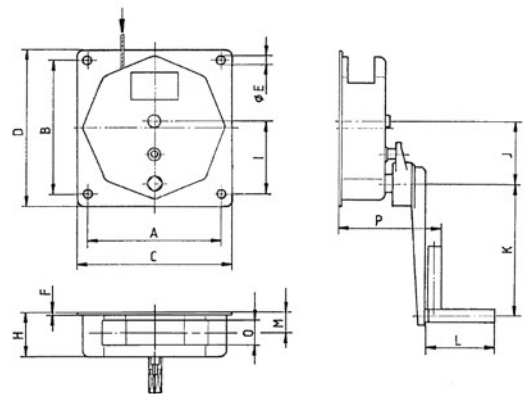
Technical data SW-W

Model	Art.-No.	Capacity 1 st layer kg	Capacity top layer kg	Drum diameter mm	Rope diameter ¹ mm	Useable rope length 1 st layer m	Useable rope length top layer m	Lift per crank rotation mm	Required crank effort daN	Weight without rope kg
SW-W 80	N040271017	80	45	51	3	2.4	30	170	12	3
SW-W 125	N040271008	125	65	40	4	2	12	138	13	3
SW-W 300	30271001	300	220	108	5	2.1	15	68	15	10
SW-W 500	30271136	500	350	108	6	2.4	15	35	13	11
SW-W 750	30271019	750	550	108	7	2	10	35	20	11

¹recommended rope: DIN EN 12385 FE-znk 1770 sZ-spa

Dimensions SW-W

Model	SW-W 80	SW-W 125	SW-W 300	SW-W 500	SW-W 750
A, mm	110	110	250	250	250
B, mm	110	110	250	250	250
C, mm	130	130	290	290	290
D, mm	130	130	290	290	290
Ø E, mm	9	9	14.5	14.5	14.5
F, mm	15	15	2	2	2
H, mm	121	121	85	85	85
I, mm	55	55	138	138	138
J, mm	-	-	117	117	117
K, mm	250	250	250	250	250
L, mm	130	130	130	130	130
M, mm	68	68	39	39	39
O, mm	60	60	50	50	50
P, mm	275	275	192	192	192



SW-W ALPHA Wall-mounted winch

Capacity 300 - 1000 kg

A versatile wall-mounted winch for an easy lifting of loads.

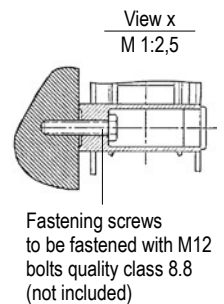
Features

- Light weight robust stamped steel housing and compact design.
- Spur gear drive for optimal efficiency and comfortable handling.
- Rope lead-offs to all directions.
- All parts are zinc-plated for increased corrosion protection, drum with additional special coating.
- Integrated crank with load pressure brake for safe holding of the load.
- Easy and quick mounting onto walls.



INFO

For a better guiding of the rope to the suspension point we recommend the use of sheaves or sheave blocks, please see page 105.



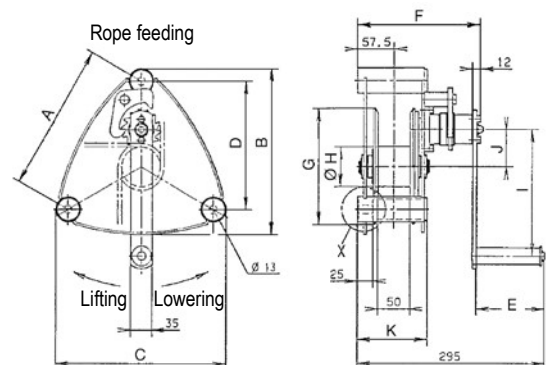
Technical data SW-W ALPHA

Model	Art.-No.	Capacity 1 st layer kg	Capacity top layer kg	Drum length mm	Rope diameter ¹ mm	Useable rope length 1 st layer m	Useable rope length top layer m	Lift per crank rotation mm	Required crank effort daN	Weight without rope kg
SW-W ALPHA 300	30272006	300	130	50	5	1,3	28	57	13	10
SW-W ALPHA 500	30272005	500	230	50	6	1	20	55	17	10
SW-W ALPHA 750	30272002	750	270	50	7	1	26	45	17	16
SW-W ALPHA 1000	30272001	1000	360	50	7	1	26	45	18	16

¹recommended rope: DIN EN 12385 FE-znk 1770 sZ-spa

Dimensions SW-W ALPHA

Model	SW-W ALPHA 300	SW-W ALPHA 500	SW-W ALPHA 750	SW-W ALPHA 1000
A, mm	234	234	306	306
B, mm	262	262	337	337
C, mm	274	274	357	357
D, mm	203	203	265	265
E, mm	107	107	107	107
F, mm	194	194	194	194
G, mm	183	183	255	255
Ø H, mm	63	63	63.5	63.5
I, mm	200	250	250	320
J, mm	58.6	58.6	92.5	92.5
K, mm	109.5	109.5	107	107





SW-W-SGO-S
Capacity 1500 kg

SW-W-SGO-S Wall-mounted winch with worm gear drive

Capacity 250 - 5000 kg

Wall-mounted winch with worm gear drive and load pressure brake for efficient lifting of heavy loads.

Features

- Housing and rope drums made out of robust steel plate.
- Worm gear drive with additional load pressure brake for safe holding of the load.
- Roller bearings ensure smooth running of the rope and increased lifetime of the winch.
- Second speed for fast lifting of smaller loads, resulting in lowest possible handle effort and rapid winding of the rope (for capacities of 2000 kg and above).
- Wide rope drum for a large rope capacity with two rope attachment points.
- Easy and quick mounting.

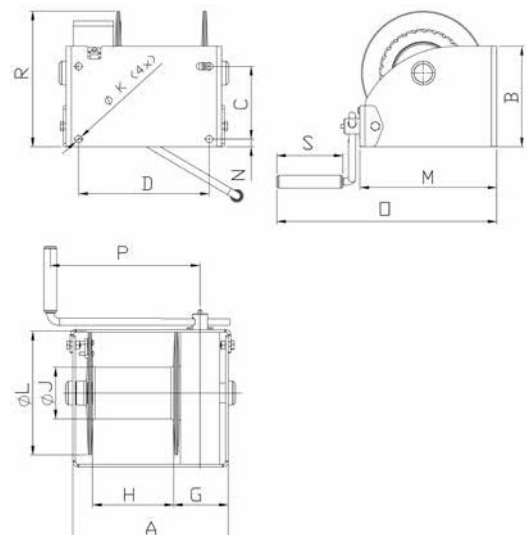
Technical data SW-W-SGO-S

Model	Art.-No.	Capacity 1 st layer kg	Capacity top layer kg	Rope diameter ¹ mm	Useable rope length 1 st layer m	Useable rope length top layer m	Lift per crank rotation mm	Required crank effort daN	Weight without rope kg
SGO-S 250	192104964	250	114	4	5.1	81	14	12	11
SGO-S 500	192104965	500	256	6	4.9	66	11	15	15
SGO-S 1000	192101966	1000	502	8	5.8	75	10	24	23
SGO-S 1500	192104967	1500	846	10	4.2	46	9	24	33
SGO-S 2000	192104968	2000	1038	12	5.4	64	3/8 ²	13/45 ²	63
SGO-S 3000	192104969	3000	1667	14	5.7	76	2/8 ²	16/55 ²	89
SGO-S 5000	192104970	5000	3276	18	5.2	49	2/8 ²	16/85 ²	124

¹recommended rope: DIN EN 12385 FE-znk 1770 sZ-spa ²1st/2nd speed

Dimensions SW-W-SGO-S

Model	SGO-S 250	SGO-S 500	SGO-S 1000	SGO-S 1500	SGO-S 2000	SGO-S 3000	SGO-S 5000
A, mm	238	262	302	302	410	436	436
B, mm	145	160	195	250	310	380	467
C, mm	100	115	141	178	196	251	316
D, mm	192	223	254	254	360	386	386
G, mm	90	88	104	108	135	145	143
H, mm	128	148	158	162	173	203	200
Ø J, mm	60	68	101	102	133	162	219
Ø K, mm	11	14	17	17	25	25	25
Ø L, mm	136	160	242	240	312	375	437
M, mm	191	209	266	278	383	480	515
N, mm	15	15	15	15	45	47	60
O, mm	364	382	438	451	694	791	826
P, mm	280	325	350	350	380	380	380
R, mm	162	189	274	312	417	526	613
S, mm	128	128	128	128	216	216	216



MWS
Manual winch
with spur gear drive

Capacity 150 - 1500 kg

For the operation where no electricity is available or in a dirty environment.

Recommended rope diameter according to EN 12385 FE-znk 1770 sZ-spa.

The rope is not included in the delivery.

Features

- Enclosed gear drive for protection of internal parts, even under tough working conditions.
- Spur gears on roller bearings, rope drum on plain bearings.
- Compact design.
- Easy and quick mounting onto walls, poles etc.
- They have a self-locking, anti-kickback and adjustable crank handle for fast lifting of smaller loads, resulting in lowest possible handle effort and rapid winding of the rope.
- Automatic load pressure brake for safe holding and extremely sensitive lowering of the load. Unintentional brake release is prevented even with swinging loads.
- They are suitable for operation in ambient temperatures of - 10°C up to + 50°C.

Optional

- Corrosion resistant version.



MWS 1000 - 1500



MWS 300 - 600



MWS 150

INFO

For a better guiding of the rope to the suspension point we recommend the use of sheaves or sheave blocks, please see page 105.

Pfaff winches are not designed for passenger elevation applications and must not be used for this purpose.

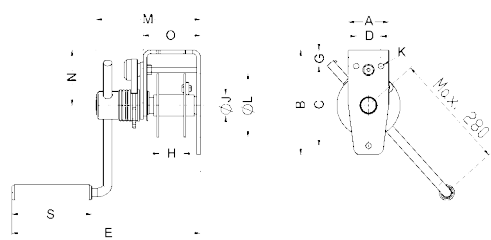
Technical data MWS

Model	Art.-No.	Capacity 1 st layer	Capacity top layer	Crank effort 1 st layer	Lift per crank rotation 1 st layer	Lift per crank rotation top layer	Weight without rope	Rope diameter ¹	Useable rope length 1 st layer	Useable rope length max.	Number of layers max.
		kg	kg	daN	mm	mm	kg	mm	m	m	
MWS 150	N02800013	150	67	11	122	210	4	4	0.8	13	8
MWS 300	N02800014	300	172	6	32	44	10	4	1.8	35	7
MWS 600	N02800015	600	366	10	28	41	11	6	1.2	12	6
MWS 1000	N02800018	1000	614	11	20	27	27	8	3.0	33	5
MWS 1500	N02800019	1500	927	12	14	19	27.5	10	2.7	21	5

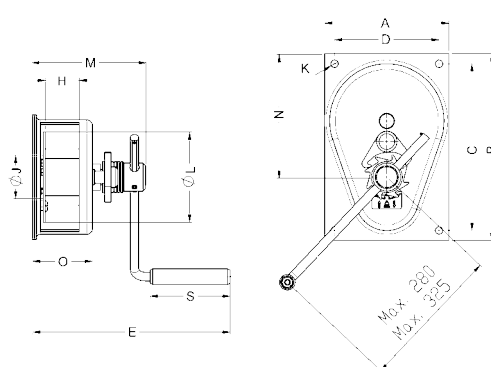
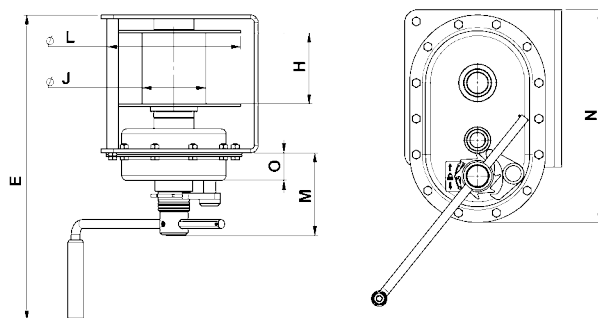
¹recommended rope: DIN EN 12385 FE-znk 1770 sZ-spa

Dimensions MWS

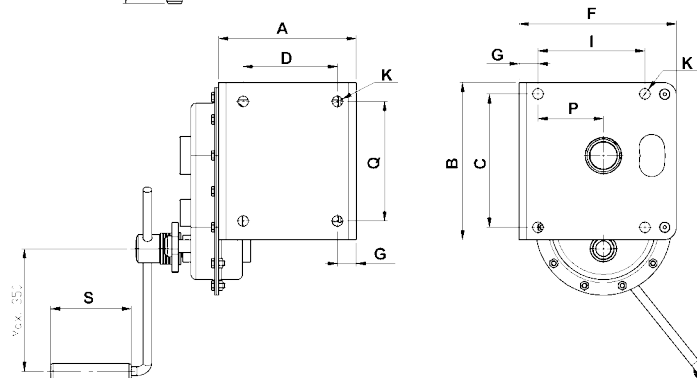
Model	MWS 150	MWS 300	MWS 600	MWS 1000	MWS 1500
A, mm	65	200	200	219	219
B, mm	168	300	300	250	250
C, mm	128	268	268	212	212
D, mm	40	168	168	150	150
E, mm	303	318	318	484	484
F, mm	-	-	-	250	250
G, mm	26	-	-	30	30
H, mm	41	55	55	113	113
I, mm	-	-	-	170	170
Ø J, mm	35	70	60	102	102
K, mm	9	12	12	17	17
Ø L, mm	102	145	145	212	212
M, mm	168	182	182	130	130
N, mm	89	199	199	338	338
O, mm	92	96	96	44	44
P, mm	-	-	-	104	104
Q, mm	-	-	-	190	190
S, mm	129	129	129	129	129



MWS, capacity 150 kg



MWS, capacity 300 - 600 kg



MWS, capacity 1000 - 1500 kg

LB Console-mounted winch

Capacity 150 - 1200 kg

Originally developed as offroad winch the console-mounted winch model LB is used today for a variety of lifting and pulling applications.

Features

- Light weight robust stamped steel housing.
- Spur gear drive for optimal efficiency and comfortable handling.
- Automatic load pressure brake for safe holding of the load in any position. An unintentional brake release is prevented.
- All parts are zinc-plated for increased corrosion protection, drum with additional special coating.
- Easy and quick mounting to consoles, even under lifting conditions.

Optional

- Stainless steel version (mat. 1.4301) for increased corrosion protection.



LB, zinc-plated version,
capacity 1200 kg



LB, zinc-plated version,
capacity 350 kg



LB-VA, stainless steel version,
capacity 900 kg

INFO

For a better guiding of the rope to the suspension point we recommend the use of sheaves or sheave blocks, please see page 105.

Pfaff winches are not designed for passenger elevation applications and must not be used for this purpose.

Technical data LB

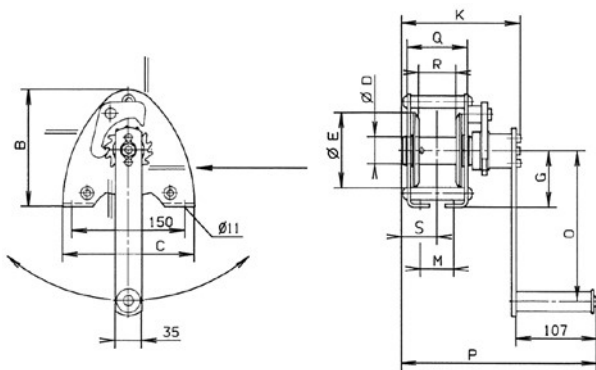
Model	Art.-No.	Capacity 1 st layer kg	Capacity top layer kg	Rope diameter mm	Useable rope length 1 st layer m	Useable rope length top layer m	Lift per crank rotation mm	Required crank effort daN	Weight without rope kg
LB 150 VZ	30239016	150	75	4 ¹	0.8	11	125	17	4.2
LB 350 VZ	30239015	350	170	4 ¹	1.8	20	125	25	4.8
LB 650 VZ	41239004	650	290	6 ¹	1	20	55	22	7.3
LB 900 VZ	41239006	900	400	7 ¹	0.8	14	58	24	10
LB 1200 VZ	42239008	1200	430	7 ²	1	26	45	24	12.1
LB 250 VA	32239017	250	125	4 ¹	1.8	19.5	125	20	4.8
LB 650 VA	42239012	650	290	6 ¹	1	20	55	22	7.6
LB 900 VA	32239013	900	320	7 ¹	1	26	45	24	12.1

¹recommended rope: DIN EN 12385 FE-znk 1770 sZ-spa

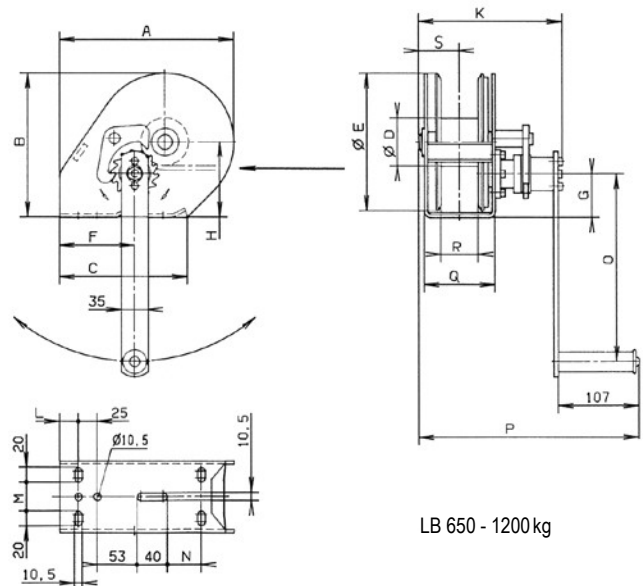
²recommended rope: DIN EN 12385 SE-znk 2160 sZ-spa

Dimensions LB

Model	LB 150 VZ	LB 350 VZ	LB 650 VZ	LB 900 VZ	LB 1200 VZ	LB 250 VA	LB 650 VA	LB 900 VA
A, mm	–	–	232	232	273	–	232	273
B, mm	155	155	192	192	266	155	192	266
C, mm	175	175	210	210	240	175	210	240
Ø D, mm	36	36	63.5	63.5	63.5	36	63.5	63.5
Ø E, mm	100	100	183	183	255	100	183	255
F, mm	–	–	100	100	78	–	100	78
G, mm	75	75	58	58	75	75	58	75
H, mm	–	–	100	100	138	–	100	138
K, mm	159	189	192	192	192	191.5	190	190
L, mm	–	–	25	25	35	–	25	35
M, mm	45	75	38	38	30	75	38	30
N, mm	–	–	–	–	53	–	–	53
O, mm	200	320	250	320	320	320	250	250
P, mm	260	290	293	293	293	292.5	291	291
Q, mm	81	111	95	95	95	111	95	95
R, mm	50	80	50	50	50	80	50	50
S, mm	48	63	55	55	55	65.5	55	55



LB 150 - 350 kg



LB 650 - 1200 kg

SW-K GAMMA Console-mounted aluminium rope winch

Capacity 200 - 800 kg

Due to its rugged design, the aluminium rope winch is suitable for operation outdoors.

Features

- Compact aluminium housing and enclosed sprocket wheel drive. From a capacity of 500 kg with speed increasing ratio for small loads and quicker winding and unwinding of the unloaded rope.
- Spur gear drive for optimal efficiency and comfortable handling.
- Enclosed gear for the protection of parts inside, also for arduous applications.
- Low-friction shaft sliding bearings for improved rope lead-off and a longer service life of the winch.
- Wide rope drum for a large rope capacity with two rope attachment points.
- Easy and quick mounting.
- With integrated safety spring brake system and removable crank. The winches can be operated from either side.



SW-K GAMMA
capacity 800 kg



SW-K GAMMA
capacity 500 kg

Technical data SW-K GAMMA

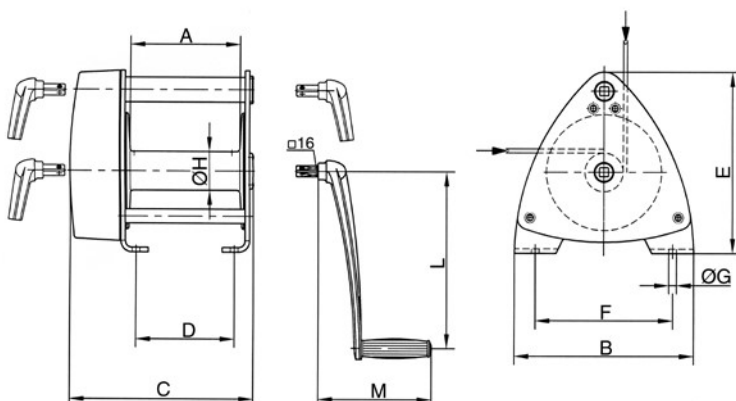
Model	Art.-No.	Capacity 1 st layer kg	Capacity top layer kg	Rope diameter ¹ mm	Useable rope length 1 st layer m	Useable rope length top layer m	Lift per crank rotation mm	Required crank effort daN	Weight without rope kg
GAMMA 200	N040270004	200	110	4 ¹	3.6	40	195	19	6
GAMMA 500	N040270001	500	200	6 ¹	4.2	50	60/400 ²	12	14
GAMMA 800	N040270006	800	350	7 ¹	5.3	78	36/280 ²	18	16

¹recommended rope: DIN EN 12385 FE-znk 1770 sZ-spa ²load/speed increasing ratio

Model	Art.-No.	consists of
GAMMA 200	N040270004	30270004 + 39000153
GAMMA 500	N040270001	30270001 + 40033612
GAMMA 800	N040270006	30270006 + 39000153

Dimensions SW-K GAMMA

Model	GAMMA 200	GAMMA 500	GAMMA 800
A, mm	120	120	200
B, mm	160	220	326
C, mm	192	330	336
D, mm	152	100	180
E, mm	165	267	327
F, mm	135	125	250
Ø G, mm	9.5	11	14
Ø H, mm	50	60	70
L, mm	320	250	320
M, mm	207	165	207





SW-KAL Compact aluminium rope winch with free-wheeling device

Capacity 750 - 1120 kg

Console-mounted rope winches are used for super-structures on vehicles and trailers and when lifting and lowering loads.

Features

- Self-locking worm gear, free-wheeling device for ease of operation.
- Enclosed gear for the protection of internal parts, also for arduous applications.
- Low-friction shaft bearings for a longer service life of the winch.
- Easy and quick mounting.

INFO

Pfaff winches are not designed for passenger elevation applications and must not be used for this purpose.

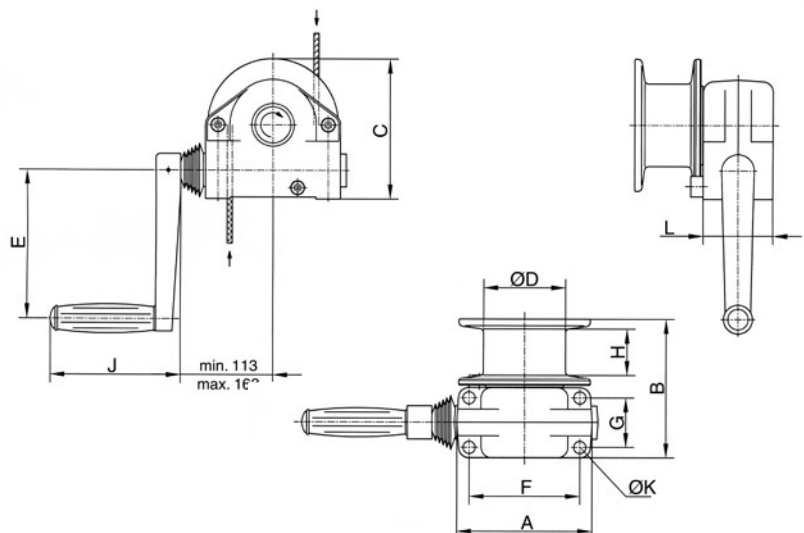
Technical data SW-KAL

Model	Art.-No.	Capacity 1 st layer	Capacity top layer	Drum diameter	Rope diameter ¹	Useable rope length 1 st layer	Useable rope length max.	Lift per crank rotation	Lift per crank rotation top layer	Required crank effort	Weight without rope
		kg	kg	mm	mm	m	m	mm	mm	daN	kg
KAL 750	30207004	750	600	100	6	1.3	10	15	17	20	7
KAL 1120	30208000	1120	600	63	7	0.5	10	11	16	22	7

¹recommended rope: DIN EN 12385 FE-znk 1770 sZ-spa

Dimensions SW-KAL

Model	KAL 750	KAL 1120
A, mm	165	165
B, mm	168	168
C, mm	170	170
Ø D, mm	100	63
E, mm	180	180
F, mm	135	135
G, mm	60	60
H, mm	56	50
J, mm	160	160
Ø K, mm	13	13
L, mm	85	85



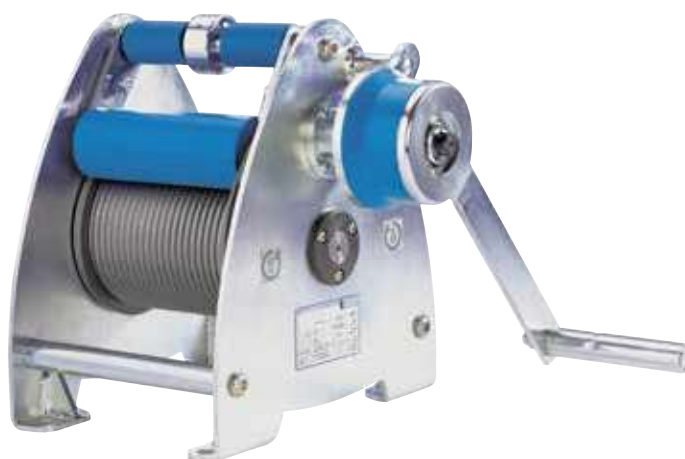
SW-K LAMBDA Console-mounted rope winch DGUV Vorschrift 17 (BGV C1)

Capacity 300 kg

The compact rope winch for applications on stages, in studios, theatres, etc.

Features

- State-of-the-art design with galvanized side sections for easy handling.
- Grooved drum for single-layer winding of the steel rope. An 18:1 ratio between drum and rope diameter increases the service life of the rope substantially.
- With spring-loaded rope pressure roller to prevent the unloaded rope from jumping off the drum.
- Gear rated for twice the nominal load.
- Spur gear drive for optimal efficiency and comfortable handling.
- The fitted safety crank with two spring brakes acting independently of each other for safe holding of the load in any position.
- In compliance with DGUV Vorschrift 17 (BGV C1) and DIN 56925. Certified by the German committee for lifting equipment (GS-approval-tested safety).



Optional

- Drum extension for a larger rope capacity.
- Special grooves (several layers).

INFO

Pfaff winches are not designed for passenger elevation applications and must not be used for this purpose.

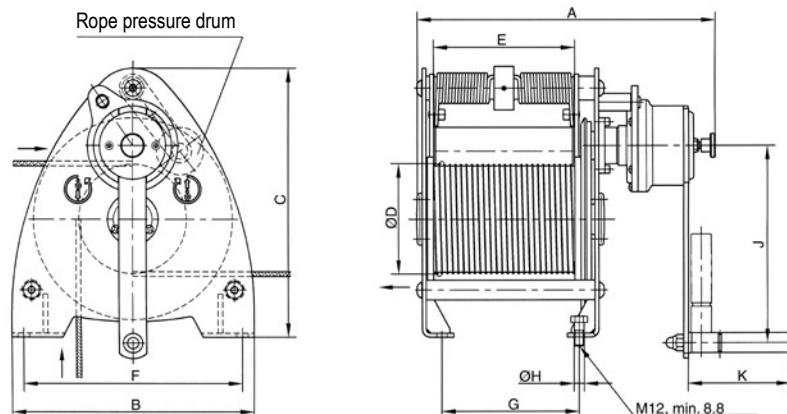
Technical data SW-K LAMBDA

Model	Art.-No.	Capacity kg	Rope diameter ¹ mm	Useable rope length 1 st layer m	Lift per crank rotation mm	Required crank effort daN	Weight without rope kg
SW-K LAMBDA	30272015	300	6	10	50	18	30
SW-K LAMBDA	30272017	300	6	15	50	18	36

¹recommended rope: DIN EN 12385 FE-znk 1960 sZ-spa

Dimensions SW-K LAMBDA

Model	SW-K LAMBDA	SW-K LAMBDA
A, mm	379	469
B, mm	310	310
C, mm	340	340
Ø D, mm	139.4	139.4
E, mm	180	270
F, mm	280	280
G, mm	175	265
Ø H, mm	13	13
J, mm	250	250
K, mm	130	130





OMEGA Console-mounted rope winch

Capacity 800 and 1000 kg

Developed for special challenges:
The OMEGA and OMEGA Offshore versions are prepared for manual operation and operation via an external motor-powered drive.

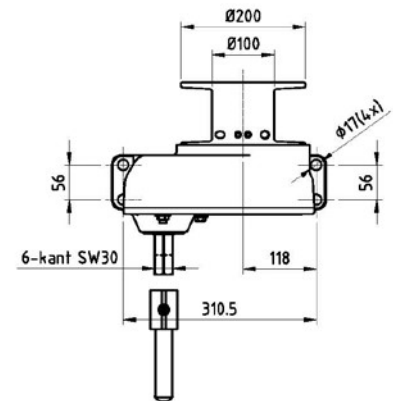
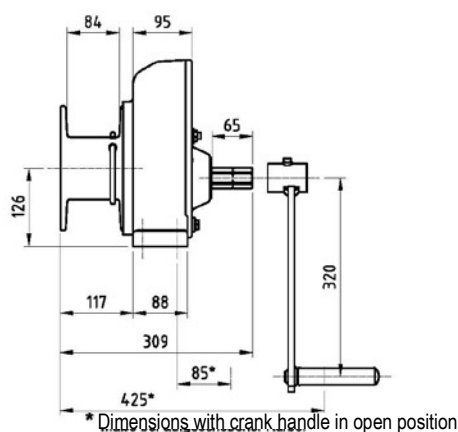
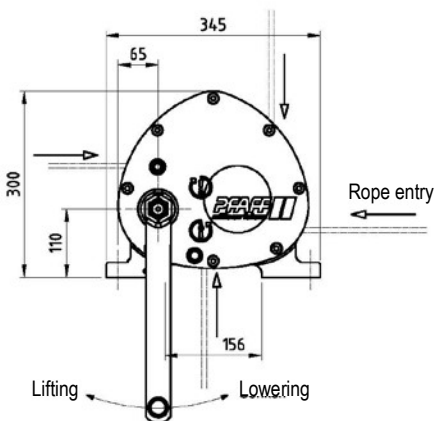
Features

- Removable hand crank.
- Encapsulated gearbox running in oil bath.
- High-quality painting to improve corrosion protection.
- External motorized drive possible (OMEGA Offshore).

Technical data OMEGA

Model	Art.-No.	Capacity 1 st layer	Capacity top layer	Useable rope length 1 st layer	Useable rope length top layer	Rope diameter	Lift per crank rotation	Lift per crank rotation top layer	Required crank effort	Driving torque Mta	Weight without rope
		kg	kg	m	m	mm	mm	mm	daN	Nm	kg
OMEGA	192010587	1000	692	1.6	13.1	8 ¹	29	42	17	54	approx. 38
OMEGA Offshore	192010589	800	800	1.2	4.3	10 ²	30	35	17	54	approx. 38

¹recommended rope: DIN EN 12385 SE 1960 N/mm ²recommended rope: DIN 3069 SE 1770 N/mm²



Ex-version available!
We are pleased to send you our new
Atex catalogue in PDF format.

DSRB S

Sheave block for rope guidance, equipped with ball bearings



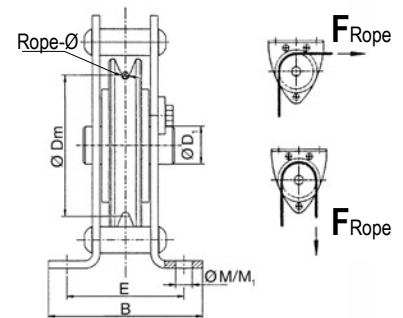
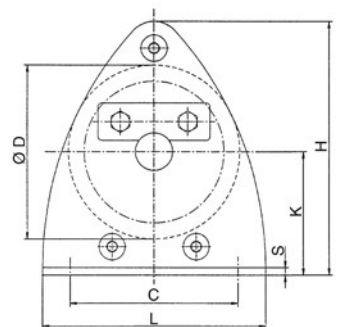
Technical data DSRB

Model	Art.-No.	Classification FEM/ISO	Pulling force	Pulling force	Rope diameter mm
			in kg at deflection 90°	in kg at deflection 180°	
DSRB S 90/4	33447103	2m/M5	700	500	3-4
DSRB S 90/6	33447413	1Dm/M1	700	500	5-6
DSRB S 145/7	33447106	1Am/M4	1100	800	7
DSRB S 185/8	33447107	2m/M5	2300	1630	8
DSRB S 270/12	33447111	2m/M5	2500	1800	9-12

All sheaves are available as an individual component on request.

Dimensions DSRB

Model	DSRB S 90/4	DSRB S 90/6	DSRB S 145/7	DSRB S 185/8	DSRB S 270/12
B, mm	85	85	125	138	191
C, mm	90	90	160	195	290
Ø D, mm	90	90	145	185	270
Ø D1, mm	20	25	25	30	40
Ø Dm, mm	80	78	126	160	246
E, mm	62	62	88	106	138
H, mm	134	134	224	273	407
K, mm	65	65	110	135	202
L, mm	120	120	200	245	360
Ø M/M1, mm	9/9	9/9	11.5/13	13.5/15	18/20
S, mm	4	6	6	8	10



Ex-version on request!

Standard ropes for manual winches

According to DIN EN 12385-4

(formerly DIN 3060 resp. DIN 3069)

Rope diameter	Breaking load of rope min. kN	Art.-No. Rope length 5 m	Art.-No. Rope length 10 m	Art.-No. Rope length 15 m	Art.-No. Rope length 20 m	Capacity clevis end kg
4 mm	10.1	33600405	33600410	33600415	33600420	500
5 mm	15.8	33600505	33600510	33600515	33600520	1000
6 mm	22.8	33600605	33600610	33600615	33600620	1000
7 mm	31.0	33600705	33600710	33600715	33600720	1000

INFO

Additional accessories available on request.