



BVH Horizontal lifting hook

Capacity 500 - 7500 kg

The BVH horizontal lifting hooks are used in pairs with chain or wire rope slings to lift plate bundles that are relatively close to the ground.

The high tensile hooks have a serrated lifting surface.

INFO

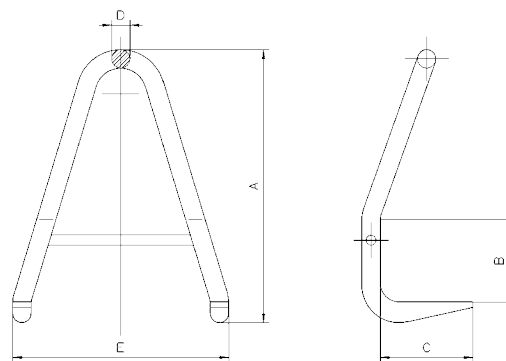
The angle from the vertical must be 30 - 45°!

The chain has to be in line with the crank of the lifting hooks.

Technical data BVH

Model	Art.-No.	Capacity ¹ kg	Weight kg
BVH 0,5	N50500001	500	1.2
BVH 1,12	N50500002	1120	1.4
BVH 1,5	N50500003	1500	2.4
BVH 2,0	N50500004	2000	3.9
BVH 2,5	N50500005	2500	8.2
BVH 3,2	N50500006	3200	8.3
BVH 4,0	N50500007	4000	13.6
BVH 5,3	N50500008	5300	21.0
BVH 6,0	N50500009	6000	39.0
BVH 7,5	N50500010	7500	60.0

¹Per unit



Dimensions BVH

Model	BVH 0,5	BVH 1,12	BVH 1,5	BVH 2,0	BVH 2,5	BVH 3,2	BVH 4,0	BVH 5,3	BVH 6,0	BVH 7,5
A, mm	180	210	240	280	340	400	530	660	800	980
B, mm	50	60	70	80	100	120	160	200	250	300
C, mm	80	95	105	115	120	140	180	210	250	300
D, mm	18	20	22	26	32	32	36	40	50	60
E, mm	150	170	200	220	270	320	420	520	640	760