

Spreader beam range

Bulkier or heavier loads must be carried on multiple points to ensure safe weight distribution and less sagging. The extensive TIGRIP® range provides a vast choice of load capacities, working widths, adjustment ranges and hook types to cater for the great majority of applications. In addition to our quality-engineered, robust and cost-effective standard range, we can also provide special designs to meet individual, bespoke customer requirements.

Options include side welding hooks (so-called cow horns), that take rope loops or lifting bands' crane eye for carrying pipes. Rolls or rollers on two or more points; star crossbars for carrying cylindrical items, or transverse crossbars for four point suspension, a further version of the reliable, easy to use and safe TIGRIP® crane hook spreader beams.

Spreader beams can be used for a diverse range of shapes and designs, and can be individually designed to meet specific applications. The following illustrations provide a short overview of the many designs available. Suspension and load carrying variants can be easily combined with most designs.



Suspension variants

Eyelet suspension

Standard suspension for use with single hooks according to DIN 15401

Possible for defined load centre of gravity for symmetrical but also asymmetrical loads.



Chain suspension

To stabilise swinging movements

Multitude of options in combination with our chain programme. Lifting ring for single hooks but also double hooks Shortening hooks allow the centre of gravity to be adjusted for asymmetrical loads.



Internal bolt suspension

To reduce the build height

Fixed welded-on but also plug-in variants possible.



Double eyelet suspension for two crane operation

Allows the spreader beam to be used on two cranes at the same time.

Each suspension variant can be operated as a double suspension.



Bracket suspension

For use with double hooks according to DIN 15402

Load carrying variants

Eyehooks

with forged safety latch

For use with any sling or sling points.



Swivel hooks

Allows alignment of the hook to the sling point.

Variants possible with plain-bearing mounted swivel (cannot be rotated under load) and also ball-bearing mounted swivel (can be rotated under load)



Front welded-on hook (cow horn with safety latch)

To reduce the height on single spreader beam



Welded-on hooks (cow horns with safety latch)

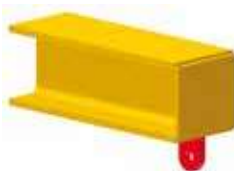
For use with two single-stranded or singly wrapped sling
Also possible with adjusting bracket.



Mounting eyelets

for fixed slings

With the mounting eyelets, the spreader beam can be combined with any slings from our programme.



Centre hooks

For crane use if the crossbar is not required.

With the centre hook there is no need to place and remove the spreader beam.

Variants possible as eyehooks or swivel hooks.





TTS-E Spreader beam, non-adjustable

Capacity 1000 - 10000 kg

For the transport of symmetrical loads

Features

- Lifting brackets for single hook according to DIN 15401
- Eyehooks with forged safety latch

Optional

- Other capacities
- Working widths according customer requirements
- Accentral suspension for asymmetrical loads

Technical data TTS-E

Model	Art.-No.	Capacity kg	Working width Z mm	Hook mouth mm	Weight kg
TTS 1,0/1000 E	N53106201	1000	1000	23	23
TTS 2,0/1000 E	N53106202	2000	1000	23	25
TTS 3,0/1000 E	N53106203	3000	1000	30	28
TTS 5,0/1000 E	N53106204	5000	1000	38	41
TTS 7,5/1000 E	N53106205	7500	1000	42	50
TTS 10,0/1000 E	N53106206	10000	1000	42	61
TTS 1,0/1500 E	N53106211	1000	1500	23	31
TTS 2,0/1500 E	N53106212	2000	1500	23	33
TTS 3,0/1500 E	N53106213	3000	1500	30	41
TTS 5,0/1500 E	N53106214	5000	1500	38	64
TTS 7,5/1500 E	N53106215	7500	1500	42	74
TTS 10,0/1500 E	N53106216	10000	1500	42	90
TTS 1,0/2500 E	N53106221	1000	2500	23	46
TTS 2,0/2500 E	N53106222	2000	2500	23	69
TTS 3,0/2500 E	N53106223	3000	2500	30	88
TTS 5,0/2500 E	N53106224	5000	2500	38	106
TTS 7,5/2500 E	N53106225	7500	2500	42	148
TTS 10,0/2500 E	N53106226	10000	2500	42	181
TTS 1,0/3500 E	N53106231	1000	3500	23	77
TTS 2,0/3500 E	N53106232	2000	3500	23	118
TTS 3,0/3500 E	N53106233	3000	3500	30	138
TTS 5,0/3500 E	N53106234	5000	3500	38	167
TTS 7,5/3500 E	N53106235	7500	3500	42	235
TTS 10,0/3500 E	N53106236	10000	3500	42	272
TTS 1,0/5000 E	N53106241	1000	5000	23	163
TTS 2,0/5000 E	N53106242	2000	5000	23	189
TTS 3,0/5000 E	N53106243	3000	5000	30	223
TTS 5,0/5000 E	N53106244	5000	5000	38	295
TTS 7,5/5000 E	N53106245	7500	5000	42	372
TTS 10,0/5000 E	N53106246	10000	5000	42	478

Dimensions TTS-E

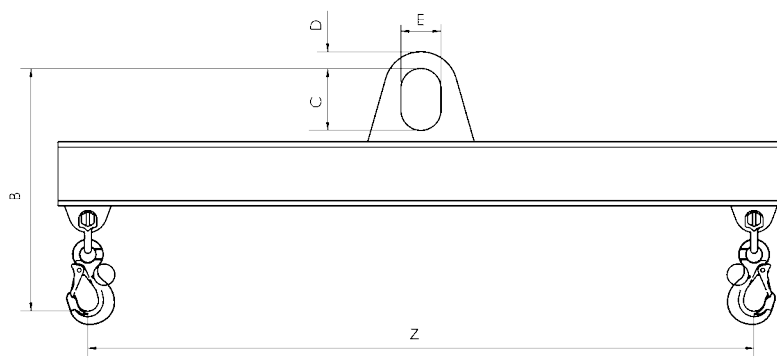
Model	TTS 1,0/1000 E	TTS 2,0/1000 E	TTS 3,0/1000 E	TTS 5,0/1000 E	TTS 7,5/1000 E	TTS 10,0/1000 E
B, mm	405	430	500	615	720	800
C, mm	110	135	160	180	200	260
D, mm	25	30	35	40	60	70
E, mm	60	75	90	100	130	130

Model	TTS 1,0/1500 E	TTS 2,0/1500 E	TTS 3,0/1500 E	TTS 5,0/1500 E	TTS 7,5/1500 E	TTS 10,0/1500 E
B, mm	405	430	520	635	740	820
C, mm	110	135	160	180	200	260
D, mm	25	30	35	40	60	70
E, mm	60	75	90	100	130	130

Model	TTS 1,0/2500 E	TTS 2,0/2500 E	TTS 3,0/2500 E	TTS 5,0/2500 E	TTS 7,5/2500 E	TTS 10,0/2500 E
B, mm	405	470	560	655	780	860
C, mm	110	135	160	180	200	260
D, mm	25	30	35	40	60	70
E, mm	60	75	90	100	130	130

Model	TTS 1,0/3500 E	TTS 2,0/3500 E	TTS 3,0/3500 E	TTS 5,0/3500 E	TTS 7,5/3500 E	TTS 10,0/3500 E
B, mm	435	490	580	695	800	880
C, mm	110	135	160	180	200	260
D, mm	25	30	35	40	60	70
E, mm	60	75	90	100	130	130

Model	TTS 1,0/5000 E	TTS 2,0/5000 E	TTS 3,0/5000 E	TTS 5,0/5000 E	TTS 7,5/5000 E	TTS 10,0/5000 E
B, mm	475	510	600	715	820	920
C, mm	110	135	160	180	200	260
D, mm	25	30	35	40	60	70
E, mm	60	75	90	100	130	130



INFO

The spreader beams can be combined with the different suspension types, see pages 216-217.



TTS Spreader beam, adjustable

Capacity 1000 - 25000 kg

For the transport of symmetrical and asymmetrical loads.

Features

- Lifting brackets for single hook according to DIN 15401
- Adjustment with grids
- Adjustable bracket with handle and swivel hook (cannot be rotated under load).

Technical data TTS

Model	Art.-No.	Capacity kg	Working width Z mm	Hook mouth mm	Weight kg
TTS 1,0/1500	N53106001	1000	700 - 1500	18	40
TTS 2,0/1500	N53106002	2000	700 - 1500	18	41
TTS 3,0/1500	N53106003	3000	700 - 1500	21	53
TTS 5,0/1500	N53106004	5000	700 - 1500	23	79
TTS 7,5/1500	N53106005	7500	700 - 1500	32	98
TTS 10,0/1500	N53106006	10000	700 - 1500	32	117
TTS 12,5/1500	N53106007	12500	700 - 1500	40	116
TTS 15,0/1500	N53106008	15000	700 - 1500	40	137
TTS 20,0/1500	N53106009	20000	700 - 1500	50	180
TTS 25,0/1500	N53106010	25000	700 - 1500	50	226
TTS 1,0/2500	N53106011	1000	1500 - 2500	18	58
TTS 2,0/2500	N53106012	2000	1500 - 2500	18	84
TTS 3,0/2500	N53106013	3000	1500 - 2500	21	105
TTS 5,0/2500	N53106014	5000	1500 - 2500	23	127
TTS 7,5/2500	N53106015	7500	1500 - 2500	32	178
TTS 10,0/2500	N53106016	10000	1500 - 2500	32	215
TTS 12,5/2500	N53106017	12500	1500 - 2500	40	198
TTS 15,0/2500	N53106018	15000	1500 - 2500	40	237
TTS 20,0/2500	N53106019	20000	1500 - 2500	50	287
TTS 25,0/2500	N53106020	25000	1500 - 2500	50	342
TTS 1,0/3500	N53106021	1000	1700 - 3500	18	95
TTS 2,0/3500	N53106022	2000	1700 - 3500	18	137
TTS 3,0/3500	N53106023	3000	1700 - 3500	21	162
TTS 5,0/3500	N53106024	5000	1700 - 3500	23	228
TTS 7,5/3500	N53106025	7500	1700 - 3500	32	278
TTS 10,0/3500	N53106026	10000	1700 - 3500	32	317
TTS 12,5/3500	N53106027	12500	1700 - 3500	40	295
TTS 15,0/3500	N53106028	15000	1700 - 3500	40	340
TTS 20,0/3500	N53106029	20000	1700 - 3500	50	451
TTS 25,0/3500	N53106030	25000	1700 - 3500	50	512
TTS 1,0/5000	N53106031	1000	2000 - 5000	18	190
TTS 2,0/5000	N53106032	2000	2000 - 5000	18	219
TTS 3,0/5000	N53106033	3000	2000 - 5000	21	260
TTS 5,0/5000	N53106034	5000	2000 - 5000	23	372
TTS 7,5/5000	N53106035	7500	2000 - 5000	32	423
TTS 10,0/5000	N53106036	10000	2000 - 5000	32	531
TTS 12,5/5000	N53106037	12500	2000 - 5000	40	449
TTS 15,0/5000	N53106038	15000	2000 - 5000	40	568
TTS 20,0/5000	N53106039	20000	2000 - 5000	50	691
TTS 1,0/8000	N53106040	1000	3000 - 8000	18	342
TTS 2,0/8000	N53106041	2000	3000 - 8000	18	458
TTS 3,0/8000	N53106042	3000	3000 - 8000	21	547
TTS 5,0/8000	N53106043	5000	3000 - 8000	23	788
TTS 7,5/8000	N53106044	7500	3000 - 8000	32	883
TTS 10,0/8000	N53106045	10000	3000 - 8000	32	1319
TTS 12,5/8000	N53106046	12500	3000 - 8000	40	979
TTS 15,0/8000	N53106047	15000	3000 - 8000	40	1046

Dimensions TTS

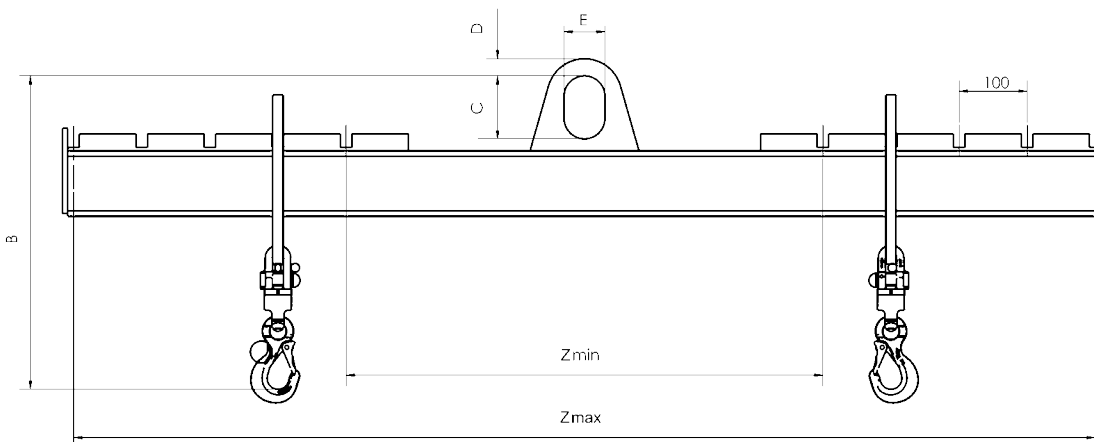
Model	TTS 1,0/1500	TTS 2,0/1500	TTS 3,0/1500	TTS 5,0/1500	TTS 7,5/1500	TTS 10,0/1500	TTS 12,5/1500	TTS 15,0/1500	TTS 20,0/1500	TTS 25,0/1500
B, mm	440	470	570	655	740	835	865	910	1020	1230
C, mm	110	135	160	180	200	260	260	260	260	300
D, mm	25	30	35	40	60	70	75	85	90	100
E, mm	60	75	90	100	130	130	140	140	160	160

Model	TTS 1,0/2500	TTS 2,0/2500	TTS 3,0/2500	TTS 5,0/2500	TTS 7,5/2500	TTS 10,0/2500	TTS 12,5/2500	TTS 15,0/2500	TTS 20,0/2500	TTS 25,0/2500
B, mm	440	505	610	675	785	880	915	955	1060	1255
C, mm	110	135	160	180	200	260	260	260	260	300
D, mm	25	30	35	40	60	70	75	85	90	100
E, mm	60	75	90	100	130	130	140	140	160	160

Model	TTS 1,0/3500	TTS 2,0/3500	TTS 3,0/3500	TTS 5,0/3500	TTS 7,5/3500	TTS 10,0/3500	TTS 12,5/3500	TTS 15,0/3500	TTS 20,0/3500	TTS 25,0/3500
B, mm	440	530	635	715	810	905	935	980	1115	1300
C, mm	110	135	160	180	200	260	260	260	260	300
D, mm	25	30	35	40	60	70	75	85	90	100
E, mm	60	75	90	100	130	130	140	140	160	160

Model	TTS 1,0/5000	TTS 2,0/5000	TTS 3,0/5000	TTS 5,0/5000	TTS 7,5/5000	TTS 10,0/5000	TTS 12,5/5000	TTS 15,0/5000	TTS 20,0/5000
B, mm	495	550	655	740	830	950	980	1025	1155
C, mm	110	135	160	180	200	260	260	260	260
D, mm	25	30	35	40	60	70	75	85	90
E, mm	60	75	90	100	130	130	140	140	160

Model	TTS 1,0/8000	TTS 2,0/8000	TTS 3,0/8000	TTS 5,0/8000	TTS 7,5/8000	TTS 10,0/8000	TTS 12,5/8000	TTS 15,0/8000
B, mm	515	590	700	785	895	1010	1045	1085
C, mm	110	135	160	180	200	260	260	260
D, mm	25	30	35	40	60	70	75	85
E, mm	60	75	90	100	130	130	140	140



INFO

The spreader beams can be combined with the different suspension types. see pages 216-217.



TTS-HE H-frame spreader beam

Capacity up to 10000 kg

For the transport of symmetrical loads.

Features

- Lifting brackets for single hook according to DIN 15401
- Eyehooks with forged safety latch

Optional

- Accentral suspension for asymmetrical loads

Technical questionnaire

Capacity _____ kg

Working length _____ mm

Working width _____ mm

INFO

Capacity, working length and width designed on individual customer requirements.

The spreader beams can be combined with the different suspension types, see pages 216 - 217.



TTS-H H-frame spreader beam

Capacity up to 25000 kg

For the transport of symmetrical and asymmetrical loads.

Features

- Lifting brackets for single hook according to DIN 15401
- Adjustment with grids
- Adjustable bracket with handle and swivel hook (cannot be rotated under load)

Technical questionnaire

Capacity _____ kg

Working length, min. _____ mm

Working length, max. _____ mm

Working width, min. _____ mm

Working width, max. _____ mm

INFO

Capacity, working length and width designed on individual customer requirements.

The spreader beams can be combined with the different suspension types, see pages 216 - 217.

TTS Spreader beam for box pallets

Capacity 1000 - 3000 kg

Box pallets with DIN 15155 specifications, are usually moved around with a forklift, but are so sturdy that they can be picked up and transported with a spreader beam grab and an overhead crane hooked up to the top of the box pallet's frame.

Thanks to these spreader beams, the shipping and receiving area is no longer entirely dependent on floor-level material handling equipment such as forklifts.

The version designed for the individual transport of box pallets is equipped with two fixed yokes and two pivoted ones, interconnected with a control bar. The load tackling gear is fixed and unfixable by only one person.

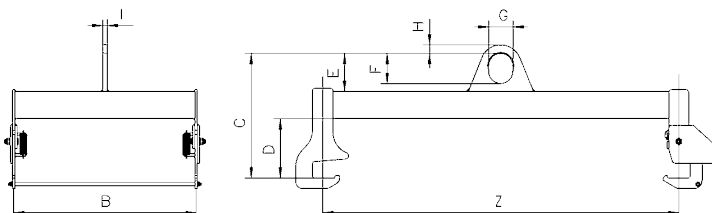


Technical data TTS

Model	Art.-No.	Capacity kg	Weight kg
TTS 1,0/1240 - 810	N53207001	1000	38
TTS 2,0/1240 - 810	N53207002	2000	61
TTS 3,0/1240 - 810	N53207003	3000	80

Dimensions TTS

Model	TTS 1,0/1240 - 810	TTS 2,0/1240 - 810	TTS 3,0/1240 - 810
B, mm	600	600	600
C, mm	410	495	520
D, mm	195	215	215
E, mm	125	180	205
F, mm	100	150	170
G, mm	80	100	130
H, mm	28	30	40
I, mm	15	20	25
Z, mm	1175	1175	1175





TTB Spreader beam for Big-Bags

Capacity 1000 - 2000 kg

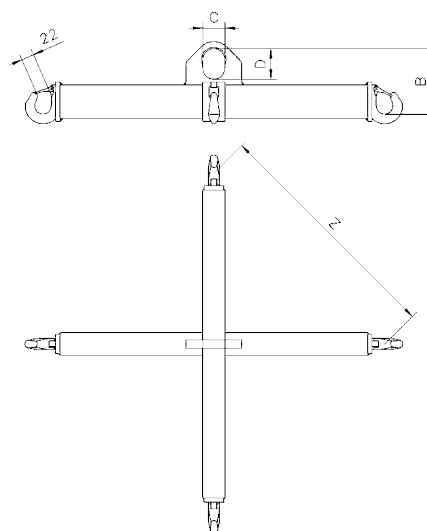
This four-point spreader beam in a fixed frame construction with weld-on hooks and safety latch is designed for lifting and transporting of Big-Bags.

Technical data TTB

Model	Art.-No.	Capacity kg	Working width Z mm	Weight kg
TTB 1,0/1090 - 1090	N53156300	1000	750 - 800	27
TTB 1,0/1320 - 1320	N53156301	1000	900 - 970	33
TTB 2,0/1090 - 1090	N53156302	2000	750 - 800	42
TTB 2,0/1320 - 1320	N53156303	2000	900 - 970	44

Dimensions TTB

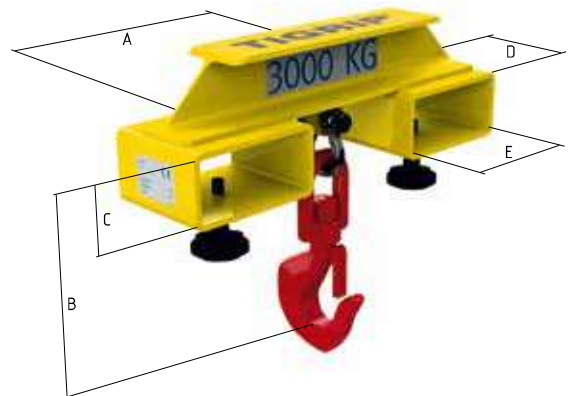
Model	TTB 1,0/1090 - 1090	TTB 1,0/1320 - 1320	TTB 2,0/1090 - 1090	TTB 2,0/1320 - 1320
B, mm	210	210	240	240
C, mm	60	60	75	75
D, mm	110	110	135	135



TTS-Z Fork lift cross beam

Capacity 2000 - 3150 kg

The model TTS-Z with two bags is used for forklift tines and has one centered, pivoting eye hook (do not pivot under load). The fork lift cross beam is fastened with two spindles and ensures safety while lifting.



Technical data TTS-Z

Model	Art.-No.	Capacity kg	Overall height B mm	Dim C mm	Dim D mm	Dim E mm	Weight kg
TTS 2,0/Z	N4300000170	2000	246	70	160	150	14.0
TTS 3,15/Z	N4300015315	3150	274	84	160	184	19.0

TZH Tine hook

Capacity 1500 - 5000 kg

For fastening hoisting equipment and loads to single forklift tines. The TZH are pushed onto the forklift tines and are fastened with two spindles. The pivoting as well as swivelling hook with safety latch ensures safety while lifting.



Technical data TZH

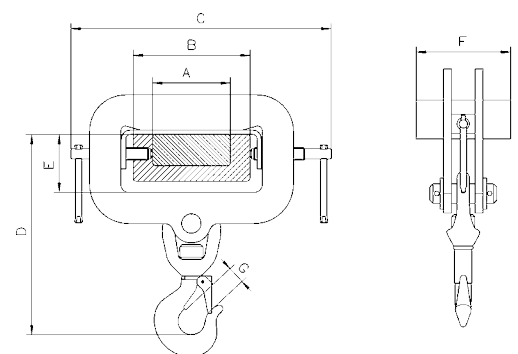
Model	Art.-No.	Capacity kg	Weight kg
TZH 1,5/150	N55100001	1500	7.2
TZH 3,0/150	N55100002	3000	10.8
TZH 5,0/150	N55100004	5000	17.3

Dimensions TZH

Model	TZH 1,5/150	TZH 3,0/150	TZH 5,0/150
A, mm	100	100	100
B, mm	150	150	150
C min., mm	310	350	350
C max., mm	360	400	400
D, mm	260	270	295
E, mm	74	74	74
F, mm	120	120	120
G, mm	25	28	34

INFO

Attention must be paid to the working load limit of the single forklift tines.



TZH, swivel hooks, pivoting and swivelling

INFO

For the transport of loads above persons (e.g. on construction sites) appropriate security measures against falling loads or parts must be taken.

The load must not exceed the fork length.



**TKG vhs
Crane forks**

Capacity 200 - 5000 kg

These crane forks are equipped with adjustable tines, height adjustability and an automatic balancing system. Crane forks with automatic balancing* tend to point their tines upward when being transported. This prevents the load from unintentionally slipping off the tines.

The shackle is movable and runs on a track depending on the load. The automatic balancing engages by a pressurized gas spring once the forks are loaded. The load will always be in the center of gravity of the forks, ensuring a safe transport.

***The automatic balancing system requires a minimum load of 20% of the crane forks' working load limit!**

Features

- All crane forks comply with the latest standards and CE-directives.
- Safety factor 4:1
- Maintenance-free
- Highly visible safety colour
- For the transport of rings or coils, the fork tines are simply pushed together.
- Easily adjustable tines for all pallet sizes.

Scope of delivery

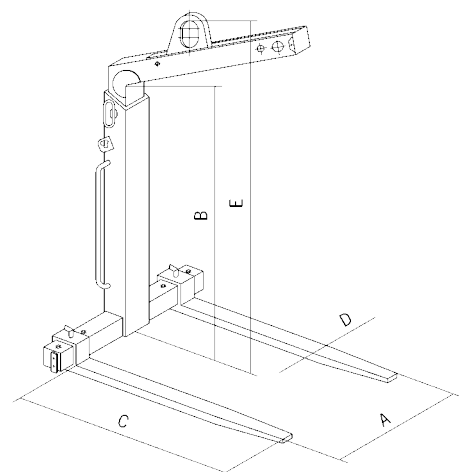
Chain for load securing

Technical data TKG vhs

Model	Art.-No.	Capacity kg	Weight kg
TKG 1,0 vhs	N53407531	200 - 1000	128
TKG 1,5 vhs	N53407532	300 - 1500	158
TKG 2,0 vhs	N53407533	400 - 2000	203
TKG 3,0 vhs	N53407534	600 - 3000	260
TKG 5,0 vhs	N53407535	1000 - 5000	413

Dimensions TKG vhs

Model	TKG 1,0 vhs	TKG 1,5 vhs	TKG 2,0 vhs	TKG 3,0 vhs	TKG 5,0 vhs
Adjustment of tines A, mm	350 - 900	350 - 900	400 - 900	450 - 900	500 - 1000
Usable height B, mm	1100 - 1600	1300 - 2000	1300 - 2000	1300 - 2000	1300 - 2000
Length of tines C, mm	1000	1000	1000	1000	1000
Section of tines D, mm	100 x 30	100 x 40	120 x 40	120 x 50	150 x 60
Overall height E, mm	1420 - 1920	1650 - 2350	1655 - 2355	1720 - 2420	1710 - 2410



TKG vh Crane forks

Capacity 1000 - 5000 kg

These crane forks are equipped with adjustable tines and height adjustability. The balancing system engages when the shackle is manually hooked into the appropriate notch.

Features

- All crane forks comply with the latest standards and CE-directives.
- Safety factor 4:1
- Maintenance-free
- Highly visible safety colour
- For the transport of rings or coils, the fork tines are simply pushed together.
- Easily adjustable tines for all pallet sizes.

Scope of delivery

Chain for load securing

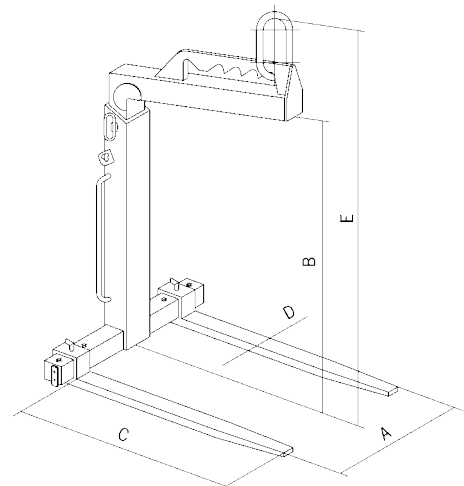


INFO

The load must not exceed the fork length.

Technical data TKG vh

Model	Art.-No.	Capacity kg	Weight kg
TKG 1,0 vh	N53407511	1000	128
TKG 1,5 vh	N53407512	1500	148
TKG 2,0 vh	N53407513	2000	193
TKG 3,0 vh	N53407514	3000	248
TKG 5,0 vh	N53407515	5000	388



Dimensions TKG vh

Model	TKG 1,0 vh	TKG 1,5 vh	TKG 2,0 vh	TKG 3,0 vh	TKG 5,0 vh
Adjustment of tines A, mm	350 - 900	350 - 900	400 - 900	450 - 900	500 - 1000
Usable height B, mm	1100 - 1600	1300 - 2000	1300 - 2000	1300 - 2000	1300 - 2000
Length of tines C, mm	1000	1000	1000	1000	1000
Section of tines D, mm	100 x 30	100 x 40	120 x 40	120 x 50	150 x 60
Overall height E, mm	1390 - 1890	1600 - 2300	1640 - 2340	1670 - 2370	1700 - 2400