

INFO

For the transport of loads above persons (e.g. on construction sites) appropriate security measures against falling loads or parts must be taken.

The load must not exceed the fork length.



TKG vhs Crane forks

Capacity 200 - 5000 kg

These crane forks are equipped with adjustable tines, height adjustability and an automatic balancing system. Crane forks with automatic balancing* tend to point their tines upward when being transported. This prevents the load from unintentionally slipping off the tines.

The shackle is movable and runs on a track depending on the load. The automatic balancing engages by a pressurized gas spring once the forks are loaded. The load will always be in the center of gravity of the forks, ensuring a safe transport.

***The automatic balancing system requires a minimum load of 20% of the crane forks' working load limit!**

Features

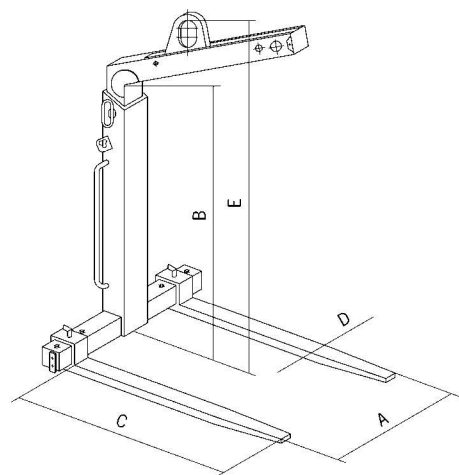
- All crane forks comply with the latest standards and CE-directives.
- Safety factor 4:1
- Maintenance-free
- Highly visible safety colour
- For the transport of rings or coils, the fork tines are simply pushed together.
- Easily adjustable tines for all pallet sizes.

Scope of delivery

Chain for load securing

Technical data TKG vhs

Model	Art.-No.	Capacity kg	Weight kg
TKG 1,0 vhs	N53407531	200 - 1000	128
TKG 1,5 vhs	N53407532	300 - 1500	158
TKG 2,0 vhs	N53407533	400 - 2000	203
TKG 3,0 vhs	N53407534	600 - 3000	260
TKG 5,0 vhs	N53407535	1000 - 5000	413



Dimensions TKG vhs

Model	TKG 1,0 vhs	TKG 1,5 vhs	TKG 2,0 vhs	TKG 3,0 vhs	TKG 5,0 vhs
Adjustment of tines A, mm	350 - 900	350 - 900	400 - 900	450 - 900	500 - 1000
Usable height B, mm	1100 - 1600	1300 - 2000	1300 - 2000	1300 - 2000	1300 - 2000
Length of tines C, mm	1000	1000	1000	1000	1000
Section of tines D, mm	100 x 30	100 x 40	120 x 40	120 x 50	150 x 60
Overall height E, mm	1420 - 1920	1650 - 2350	1655 - 2355	1720 - 2420	1710 - 2410

TKG vh Crane forks

Capacity 1000 - 5000 kg

These crane forks are equipped with adjustable tines and height adjustability. The balancing system engages when the shackle is manually hooked into the appropriate notch.

Features

- All crane forks comply with the latest standards and CE-directives.
- Safety factor 4:1
- Maintenance-free
- Highly visible safety colour
- For the transport of rings or coils, the fork tines are simply pushed together.
- Easily adjustable tines for all pallet sizes.

Scope of delivery

Chain for load securing

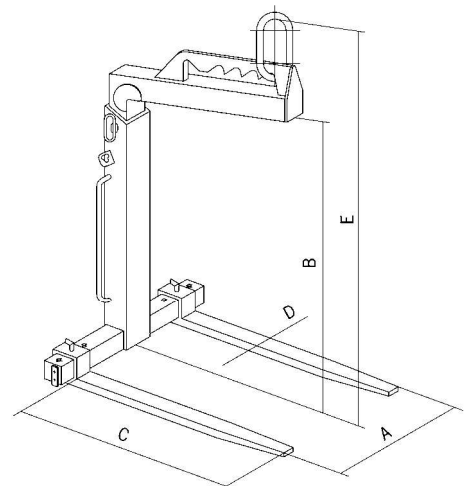


INFO

The load must not exceed the fork length.

Technical data TKG vh

Model	Art.-No.	Capacity kg	Weight kg
TKG 1,0 vh	N53407511	1000	128
TKG 1,5 vh	N53407512	1500	148
TKG 2,0 vh	N53407513	2000	193
TKG 3,0 vh	N53407514	3000	248
TKG 5,0 vh	N53407515	5000	388



Dimensions TKG vh

Model	TKG 1,0 vh	TKG 1,5 vh	TKG 2,0 vh	TKG 3,0 vh	TKG 5,0 vh
Adjustment of tines A, mm	350 - 900	350 - 900	400 - 900	450 - 900	500 - 1000
Usable height B, mm	1100 - 1600	1300 - 2000	1300 - 2000	1300 - 2000	1300 - 2000
Length of tines C, mm	1000	1000	1000	1000	1000
Section of tines D, mm	100 x 30	100 x 40	120 x 40	120 x 50	150 x 60
Overall height E, mm	1390 - 1890	1600 - 2300	1640 - 2340	1670 - 2370	1700 - 2400